

# The HotRod Kit

Learn to Read



Finish the story with the missing fl- and gl- words.

Step 1: Cut out the hot rod, \_\_\_ass, and \_\_\_ag.

Step 2: Fold at the dotted lines.

Step 3: Stick \_\_\_ap A into Slot B.

Step 4: Then stick \_\_\_ap C into Slot D.

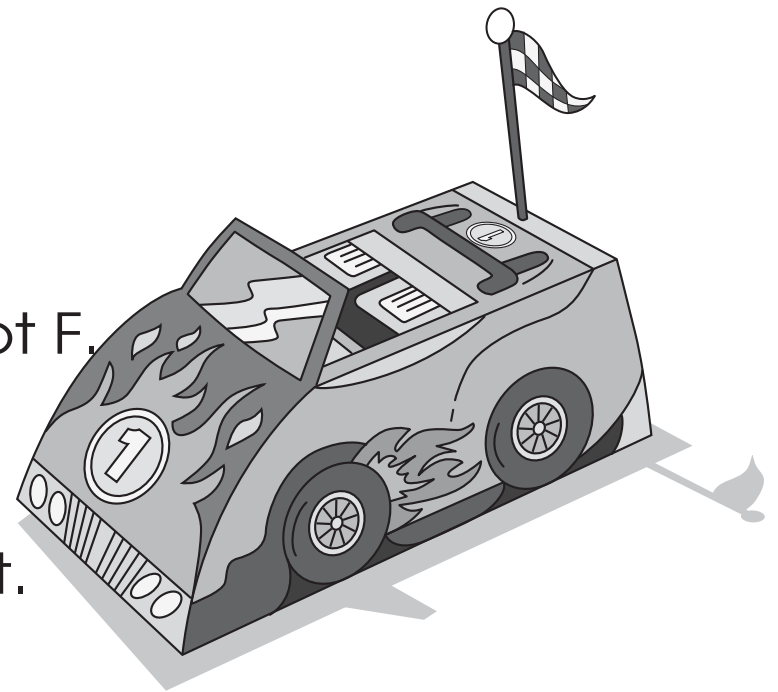
Step 5: \_\_\_ip \_\_\_ap E over to fit into Slot F.

Step 6: Fit the \_\_\_ass into Slot F.

Step 7: Stick the \_\_\_ag in the back slot.

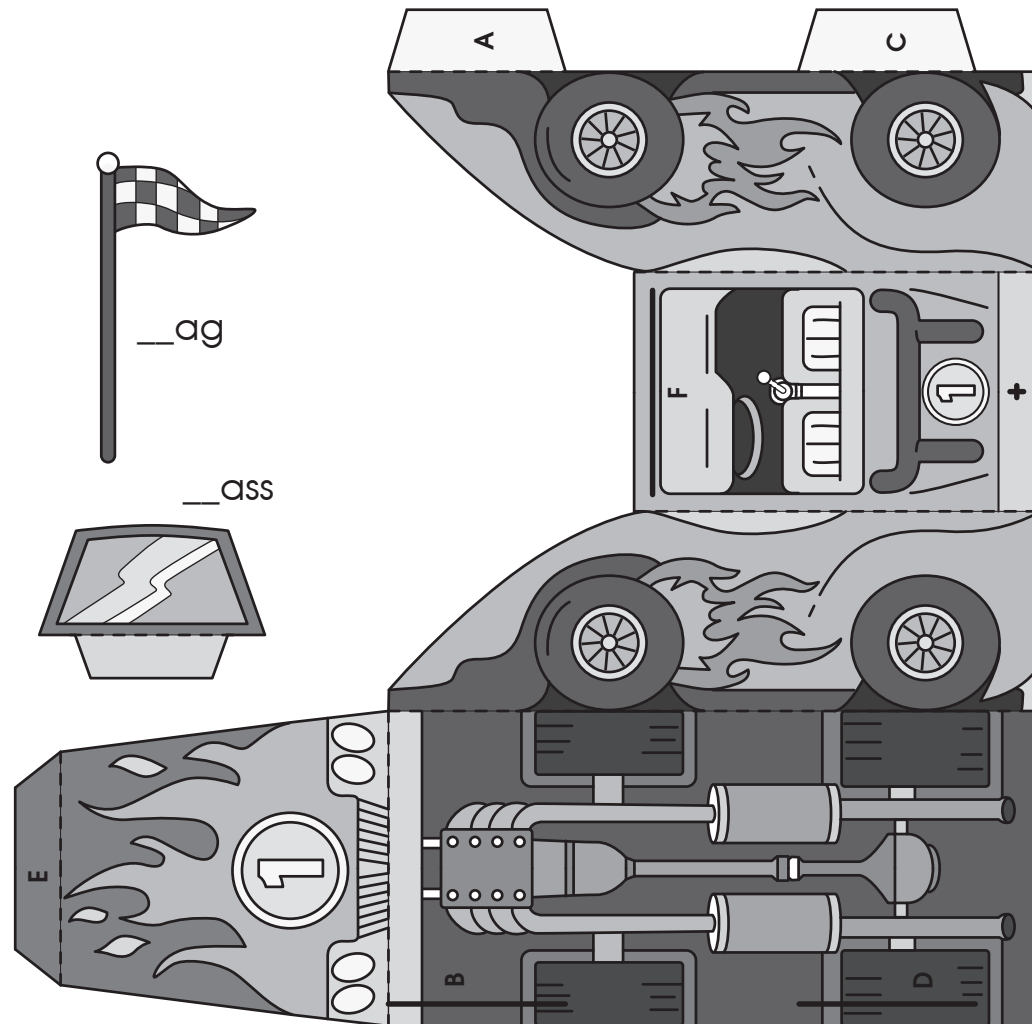
Step 8: Add red \_\_\_oss to your hot rod.

Good job! Your hot rod is slick!



# The Hot-Rod Kit

Finish the activity with the missing **fl-** and **gl-** words.



\_ag

\_ass

hot rod